



*Shanti Tech Engineers*

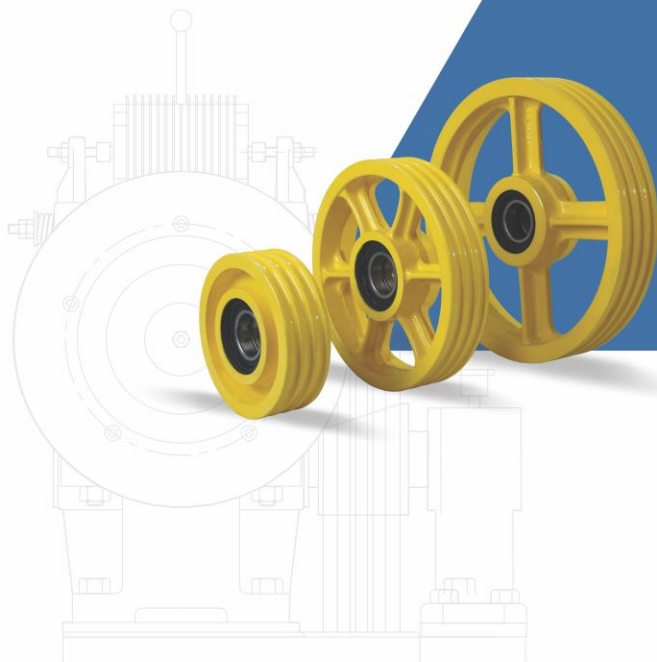
Mfg. Of : All Type of Elevator Gear Box



## ON STOP SOLUTION ELEVATOR COMPONENTS

### Services Provided:

- Manufacturing of Elevator Parts & Components.
- Geared Traction Machine Manufacturing.
- Complete Elevator Kit Manufacturing.



## Elevator Geared Traction Machine



www.shantitech.com

A geared traction machine is a type of drive system commonly used in elevator installations, particularly for mid-rise buildings.

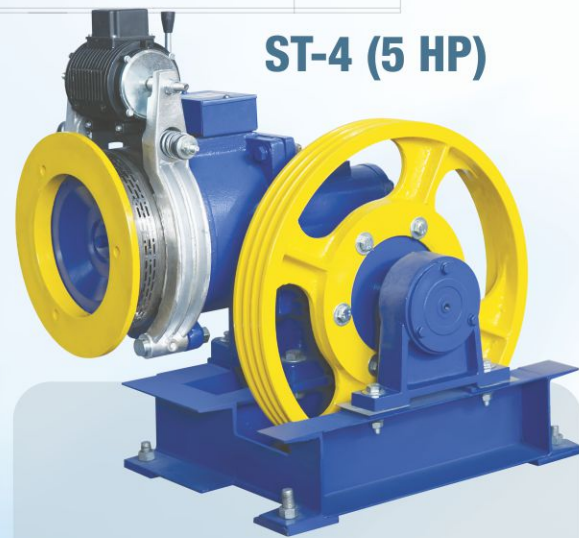
It uses a gearbox to reduce motor speed and increase torque, allowing for controlled and efficient elevator movement

**Cost-effective for mid-rise buildings.**

**Reliable and time-tested technology.**

**Easier installation and retrofitting.**

**ST-4 (5 HP)**



**ST-GM-27** GEARED MACHINE

**Technical Specifications**

Data	ST-GM - 127
Max. Static Load	3000 Kg.
Brake Voltage	110 V DC / 220 V DC
Oil Capacity	0.7 Ltr. Net.
Machine Weight	275 Kg. (APPROX)

**ST-5 (5, 7.5 HP)**



**ST-GM-28** GEARED MACHINE

**Technical Specifications**

Data	ST-GM - 128
Max. Static Load	4500 Kg.
Brake Voltage	110 V DC / 220 V DC
Oil Capacity	3 Ltr. Net.
Machine Weight	320 Kg. (APPROX)

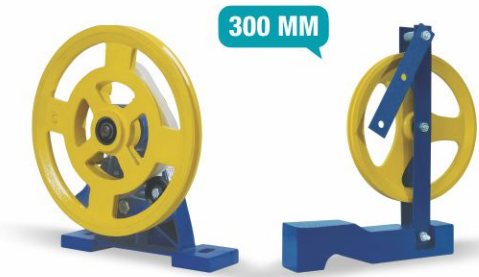
## Elevator Components



*Shanti Tech Engineers*  
Mfg. Of : All Type of Elevator Gear Box



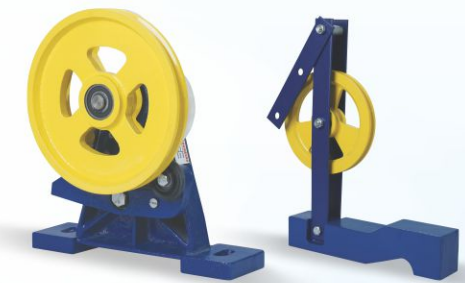
Overspeed Governor - Double Groove  
(Speed : 1 m/s)  
**ST-OG-20**



Overspeed Governor - Single Groove  
(Speed : 0.7, 1 m/s)  
**ST-OG-21**



Overspeed Governor  
(Speed : 0.7 m/s)  
**ST-OG-22**



MRL Overspeed Governor  
(Speed : 1 m/s)  
**ST-OG-23**



Roomless Overspeed Governor  
(Speed : 1 m/s)  
**ST-OG-24**



Roomless Overspeed Governor  
(Speed : 1 m/s)  
**ST-OG-25**



Diverter Pulley  
(Size : 150 to 600 mm)  
**ST-DP-26**



Diverter Pedestal  
Big  
**ST-DP-29**



Diverter Pedestal  
Small  
**ST-DP-30**

**Elevator  
Components**

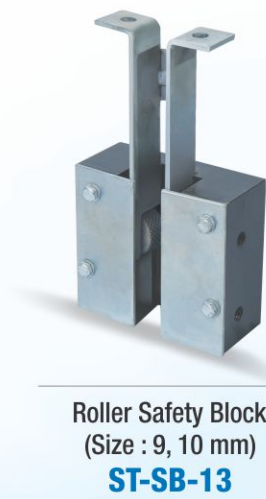
www.shantitech.com



**Elevator  
Components**



*Shanti Tech Engineers*  
Mfg. Of : All Type of Elevator Gear Box



## Elevator Car Frame



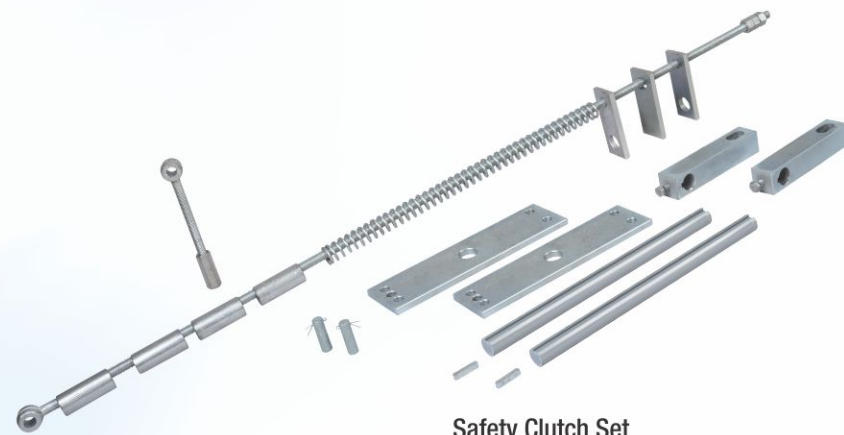
www.shantitech.com



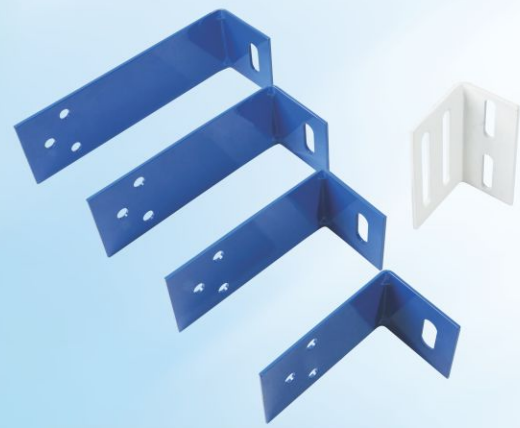
Gun Type Thimble  
(Size : 8, 10, 13 mm)  
**ST-GT-15**



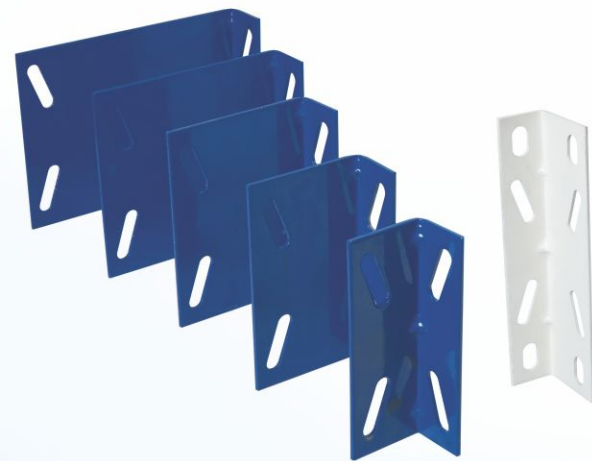
Eye Bolt Thimble  
(Size : 13 mm)  
**ST-EBT-16**



Safety Clutch Set  
**ST-SCS-17**



Elevator Counter Bracket  
(100 to 150, 150 to 200,  
200 to 250, 250 to 300)  
**ST-ECB-18**



Elevator Car Bracket  
(50 to 100, 100 to 150, 150 to 200,  
200 to 250, 250 to 300)  
**ST-ECB-19**

## EXPO PARTICIPATE



*Shanti Tech Engineers*  
Mfg. Of : All Type of Elevator Gear Box

1<sup>st</sup>  
2017



ELEVATOR & ESCALATOR EXPO  
GANDHINAGAR, APRIL - 2017



2<sup>nd</sup>  
2018



ELEVATOR & ESCALATOR EXPO  
GREATER NOIDA DELHI, SEPT - 2018

3<sup>rd</sup> 2019



ELEVATOR & ESCALATOR EXPO  
GANDHINAGAR, APRIL - 2019



4<sup>th</sup>  
2020



ELEVATOR & ESCALATOR EXPO  
Mumbai - February 2020

5<sup>th</sup> 2024



ELEVATOR & ESCALATOR EXPO  
Bangalore, March 2024





[www.shantitech.com](http://www.shantitech.com)



## Shanti Tech Group

E-mail : [shantitech50@gmail.com](mailto:shantitech50@gmail.com)  
Website : [www.shantitech.com](http://www.shantitech.com)

## *Shanti Tech Engineers*

Mfg. of : All Type of Elevator Gear Box

Plot No. 37 & 38, D.K. Industrial Estate Park - 1,  
Opp. Gopal Charan, Bakrol Bujrang,  
Ahmedabad - 382430 Gujarat, India.

Mobile : +91 93766 29482, 7600762728  
E-mail : [shantitech50@gmail.com](mailto:shantitech50@gmail.com)  
Website : [www.shantitech.com](http://www.shantitech.com)

## Shanti Tech Industries

Mfg. of Elevator Full Kit Suppliers

19, Satellite Industrial Estate,  
Nr. Zaveri Estate,  
Kathwada Singarva Road,  
Kathwada, Ahmedabad -38243

## **SM** Shanti Metal

Mfg. by : All Kind of Ferrous & Nonferrous Casting

35-36, D.K. Industrial Park, Opp. Gopal Charan,  
Bakrol, (Bujrang) Ahmedabad - 382210.  
E-mail : [shantimetal60@gmail.com](mailto:shantimetal60@gmail.com)



### Services Provided:

- Manufacturing of Elevator Parts & Components.
- Geared Traction Machine Manufacturing.
- Complete Elevator Kit Manufacturing.